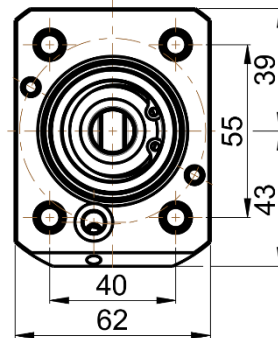
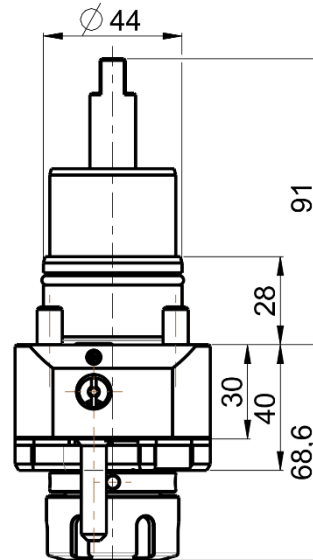
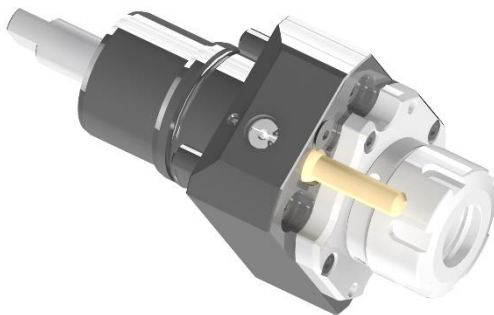




STRAIGHT LIVE TOOL HOLDER NAKAMURA-TOME BMT 44 TURRET



RGX2-44/101-25/2(NT)

Max. speed: 6000 rpm

Max. torque: 40 Nm

Collet: ER25

Direction of rotation:  

Ratio: 1:1

Cooling: external & internal

Max. pressure: 20 bar

Accessories

Nut : Clamping wrench type E 25

Spindle: Hook wrench DIN 1810B 40-42

