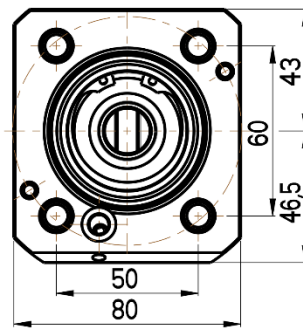
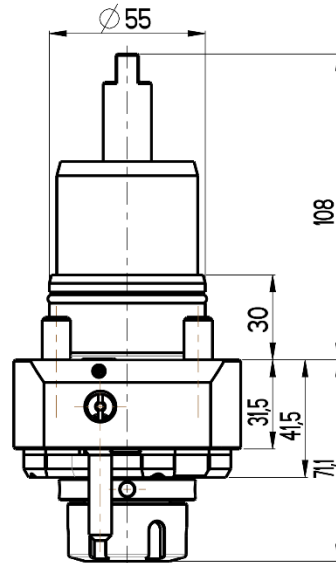
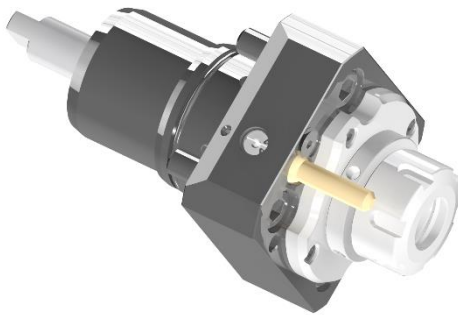




# STRAIGHT LIVE TOOL HOLDER NAKAMURA-TOME BMT 55 TURRET



**RGX2-55/101-25/1(NT)**

**Max. speed:** 6000 rpm

**Max. torque:** 50 Nm

**Collet:** ER25

**Direction of rotation:**

**Ratio:** 1:1

**Cooling:** external (internal cooling available)

### Accessories

**Nut :** Clamping wrench type E 25

**Spindle:** Hook wrench DIN 1810B 45-50

