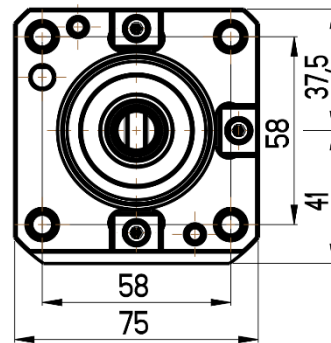
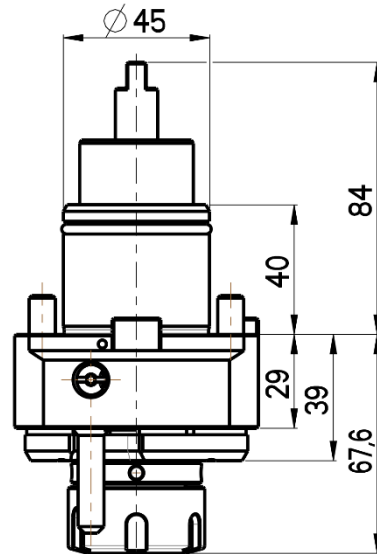




# STRAIGHT LIVE TOOL HOLDER

## DOOSAN, Hardinge

### BMT 45 TURRET



**RGX2-45/101-25/1(DO)**

**Max. speed:** 6000 rpm

**Max. torque:** 50 Nm

**Collet:** ER25

**Direction of rotation:**

**Ratio:** 1:1

**Cooling:** external (internal cooling available)

#### Accessories

**Nut :** Clamping wrench type E 25

**Spindle:** Hook wrench DIN 1810B 40-42

