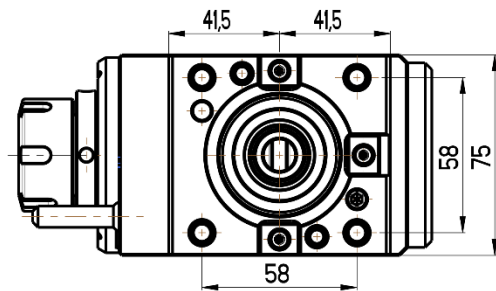
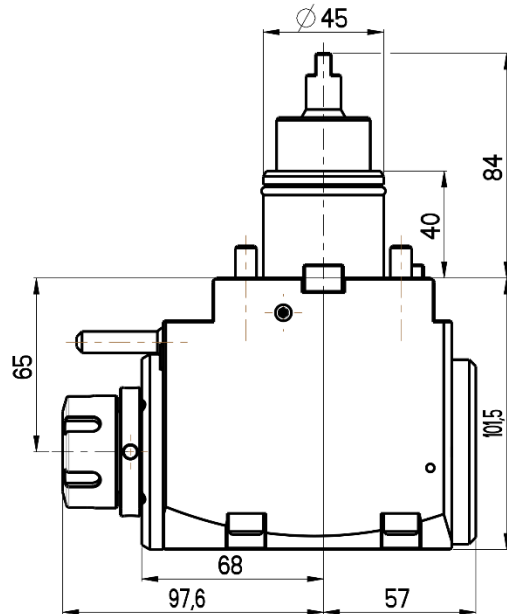
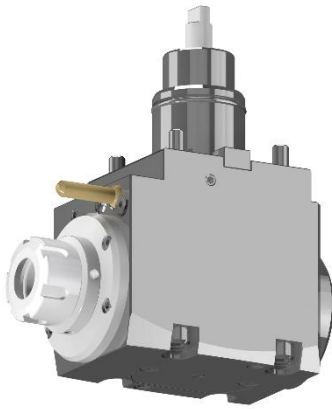




ANGULAR LIVE TOOL HOLDER

**DOOSAN, Hardinge
BMT 45 TURRET**



RGX2-45/201-25/2.3-65(DO)

Max. speed: 6000 rpm

Max. torque: 50 Nm

Collet: ER25

Direction of rotation:

Ratio: 1:1

Cooling: external & internal

Max. pressure: 20 bar

Accessories

Nut : Clamping wrench type E 25

Spindle: Hook wrench DIN 1810B 45-50

