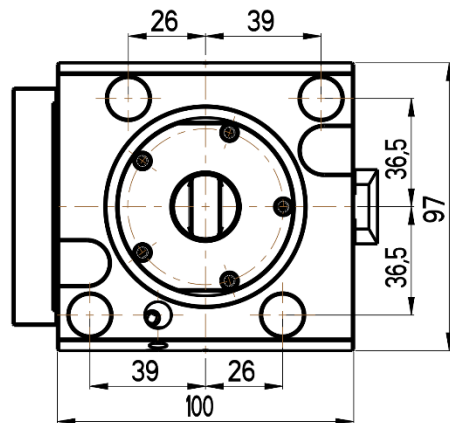
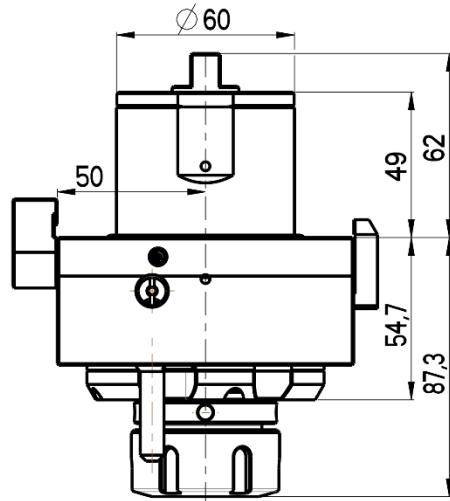
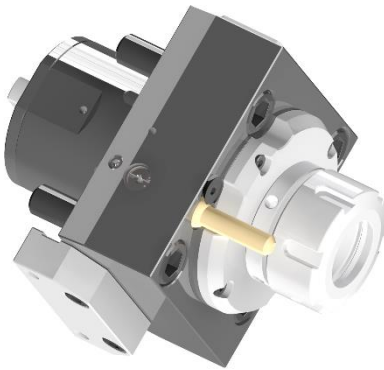




# STRAIGHT LIVE TOOL HOLDER

**OKUMA TURRET  
LB 2000/2500/3000 EX M**



**RGX2-60/101-32/1(JA)**

**Max. speed:** 6000 rpm

**Max. torque:** 70 Nm

**Collet:** ER32

**Direction of rotation:** 

**Ratio:** 1:1

**Cooling:** external

### Accessories

**Nut :** Clamping wrench type E 32

**Spindle:** Hook wrench DIN 1810B 45-50

