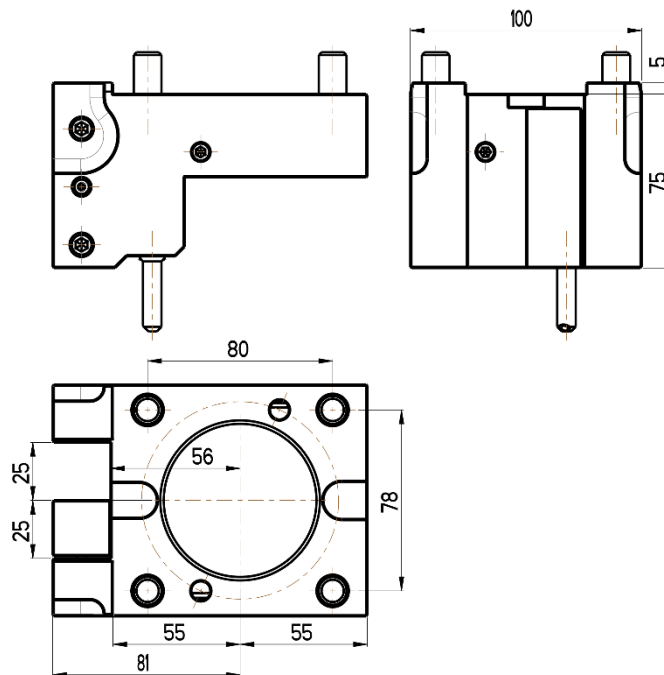
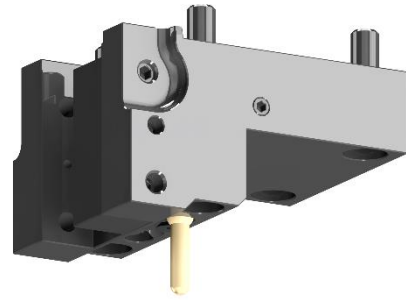




OD cutting holder

**OKUMA TURRET
LB4000 EX M
BMT 60**



RGX OD-60x25x75(JB)

Cooling: *external*