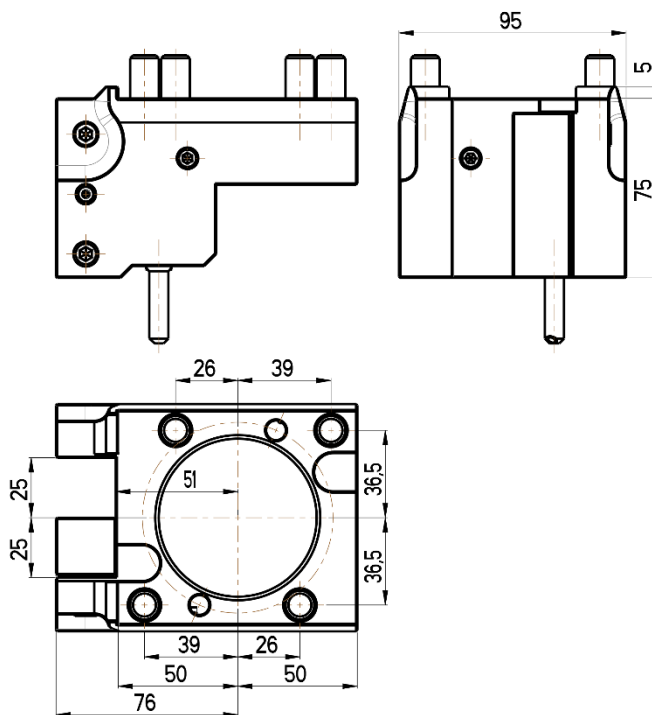
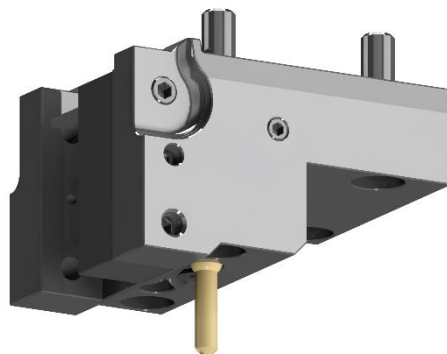




**OD cutting holder**  
**OKUMA TURRET**  
**LB2000/2500/LB3000 EX M**  
**BMT 60**



**RGX OD-60x25x75(JA)**

**Cooling:** *external*