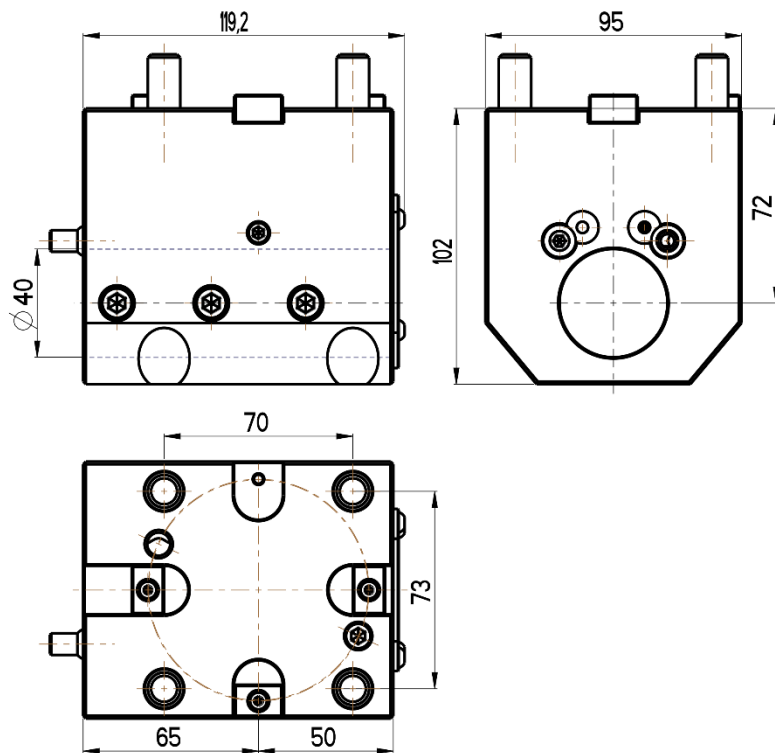
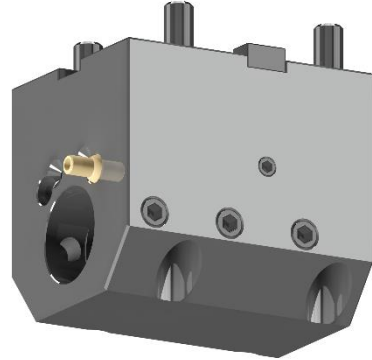




ID cutting holder
DOOSAN TURRET
BMT 65



RGX ID-65x40x72(DO)

Cooling: *external & internal*