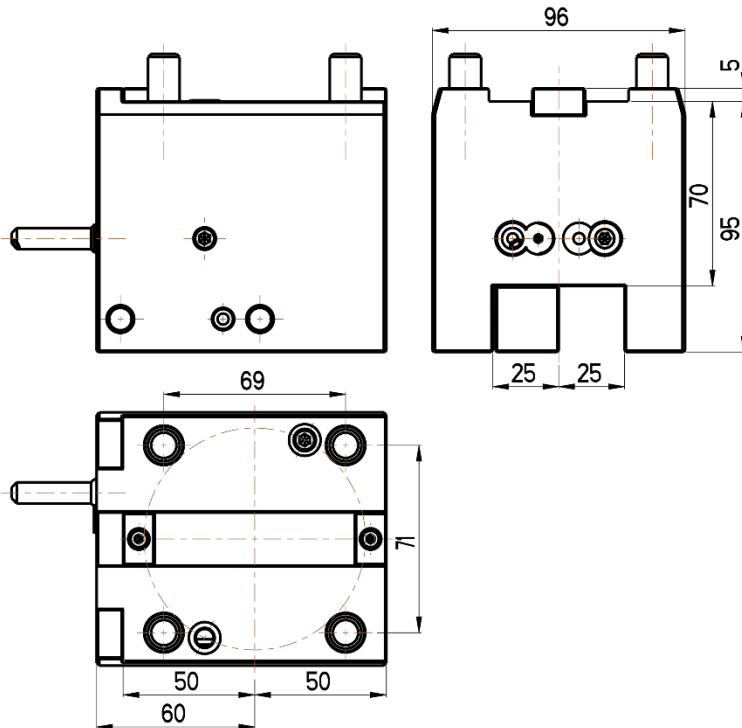
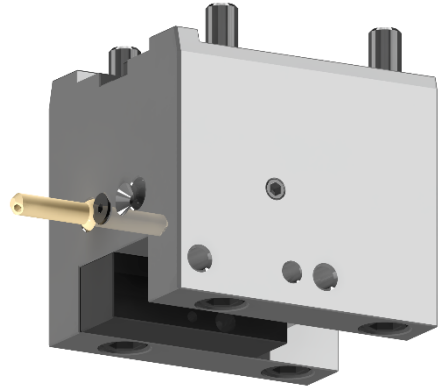




Face cutting holder
Nakamura-Tome TURRET
BMT 65



RGX F-65x25x95(NT)

Cooling: *external*