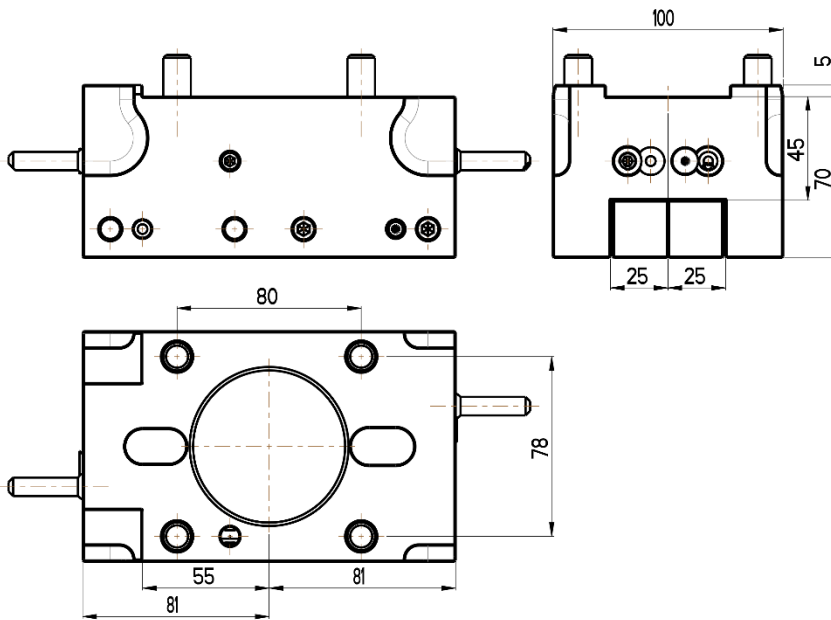
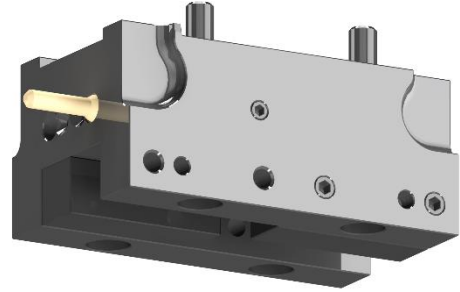




## Face cutting holder

**OKUMA TURRET  
LB4000 EX M  
BMT 60**



**RGX F-60x25x70D(JB)**

**Cooling:** *external*