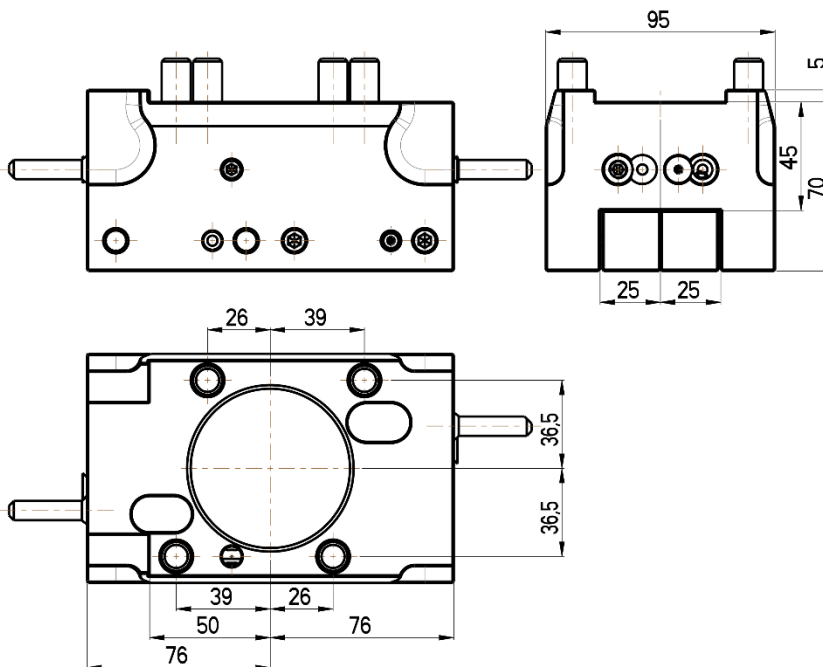
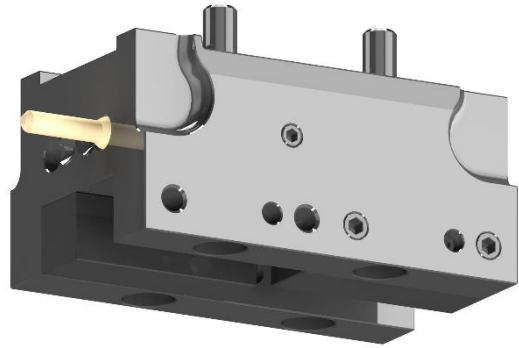




# Face cutting holder

**OKUMA TURRET  
LB2000/2500/LB3000 EX M  
BMT 60**



**RGX F-60x25x75D(JA)**

**Cooling:** *external*